

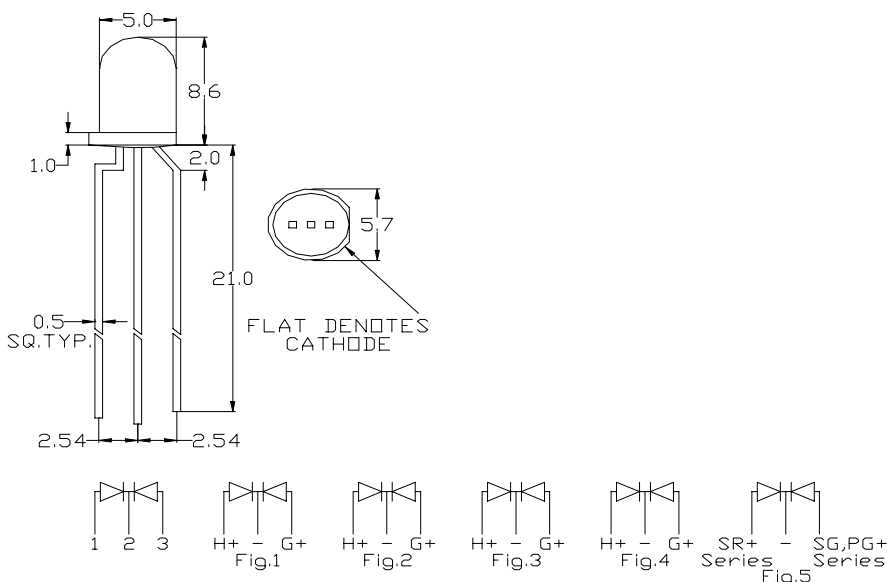


Brilliance by design

SloanLED™

5mm LED Multi-Color LED  
Model 925

www.SloanLED.com



Contact Factory for information regarding 3mm Multi-Color LEDs

Ta=25°C

Part No.	Chip		Wave Length	Lens Color	View Angel (deg)	Electro-Optical Characteristics					Absolute Max Ratings			
	Raw Material	Emitted Color				Vf(V)			Iv (mcd)		nm	Pd mW	If mA	If mA (Peak)
						Min.	Typ.	Max.	Min.	Typ.				
SL925OGD	GaAsP/GaP	Hi-effi. Red	635	White	60	1.7	2.1	2.8	8.0	20.0	45	100	30	160
	GaP	Green	565	Diffused		1.7	2.1	2.8	5.0	15.0	30	100	30	160
SL925OYD	GaAsP/GaP	Hi-effi. Red	635	White	60	1.7	2.1	2.8	5.0	15.0	30	100	30	160
	GaAsP/GaP	Yellow	585	Diffused		1.7	2	2.8	8.0	20.0	45	100	30	160
SL925GYD	GaP	Green	565	White	60	1.7	2.1	2.8	5.0	15.0	30	100	30	160
	GaAsP/GaP	Yellow	585	Diffused		1.7	2.1	2.8	5.0	15.0	30	100	30	160
SL925RSGHD	GaAlAs	Super Red	660	White	60	1.6	1.8	2.1	50.0	150	20	60	20	160
	GaP	Green	565	Diffused		1.7	2.1	2.8	20.0	50	30	100	30	160
SL925OGC	GaAsP/GaP	Hi-effi. Red	635	Water	30	1.7	2	2.8	20.0	50	45	100	30	160
	GaP	Green	565	Clear		1.7	2.1	2.8	15.0	30	30	100	30	160
SL925OYC	GaAsP/GaP	Hi-effi. Red	635	Water	30	1.7	2	2.8	20.0	50	45	100	30	160
	GaAsP/GaP	Yellow	585	Clear		1.7	2.1	2.8	15.0	30	30	100	30	160
SL925GYC	GaP	Green	565	Water	30	1.7	2.1	2.8	15.0	30	30	100	30	160
	GaAsP/GaP	Yellow	585	Clear		1.7	2.1	2.8	15.0	30	30	100	30	160
SL925RSGHC	GaAlAs	Super Red	660	Water	30	1.6	1.8	2.1	300	500	20	60	20	160
	GaP	Green	565	Clear		1.7	2.1	2.8	50	100	30	100	30	160

Notes:

1. All Dimensions are in millimeters.
2. Tolerance is +0.25mm(0.10") unless otherwise specified.
3. Protruded resin under flange is 1.5mm(0.59") max.
4. Specifications are subject to change without notice